

# SPC-5170

17" Stainless Steel Panel PC, Intel Core I5-6200U Processor, Medical-grade SUS316



## Features

- Intel Core I5-6200U (2.3 GHz)
- 17" industrial LCD panel and touch
- M12 I/O Connectors
- Medical-grade SUS316 stainless steel housing
- Fanless and IP66 Protection
- -10~50°C Wide temperature operating
- Optional 9~36VDC input
- Optional WiFi, Bluetooth, 4G, 5G



## Specifications

### System

CPU	Intel Dual-Core I5-6200U (2.3GHz)
Memory	2 x SO-DIMM DDR3L-1600 (up to 32GB)
Storage	1 x Full-size Mini-PCle for mSATA SSD 1 x 2.5" driver bay for SATA3.0 HDD/SSD
Operating System	Windows 7/10, Linux

### Display

Size	17-inch
Resolution	1280 x 1024
Brightness	250 cd/m <sup>2</sup>
Contrast Ratio	700:1
LED Lifetime	30000 hrs

### Touch Screen

Type	Industrial five-wire resistive touch
------	--------------------------------------

### I/O Connectors

Serial Port	1 x RS-232, 1 x RS-232/485
USB Port	2 x USB2.0
Ethernet	2 x GbE LAN
Others	1 x DC-in 1 x ATX Switch

### Expansion

Mini-PCle	1 x Full-size Mini-PCle for mSATA 1 x Full-size Mini-PCle
-----------	--

### Power Management

Power Input	DC 12V
Consumption	28W(Typ.)

### Environmental

Operating Temperature	-10~50°C
Storage Temperature	-20~60°C
Relative Humidity	5%-90%, @ 40°C (non-condensing)
IP protection	IP66
Certifications	CE, FCC

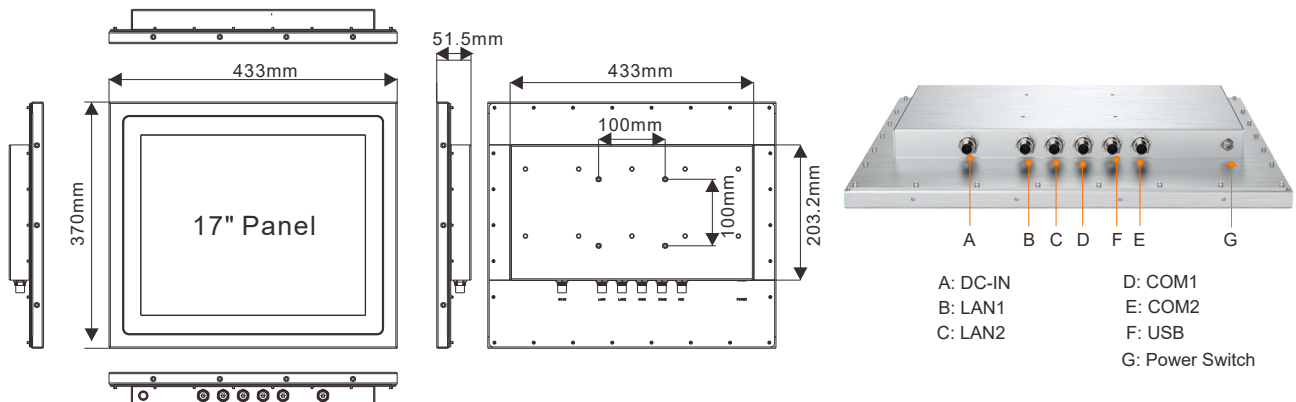
### Mechanical

Material	SUS 316
Mounting Mode	VESA-mount
Dimension (W x L x H)	433 x 370 x 51.5 mm
Weight	6Kg

### Packing List

- 1 x SPC-5170
- Power Adapter and Cord
- Interface conversion cord
- 1 x Certificate
- 1 x Warranty Card

## Dimensions



- |          |                 |
|----------|-----------------|
| A: DC-IN | D: COM1         |
| B: LAN1  | E: COM2         |
| C: LAN2  | F: USB          |
|          | G: Power Switch |