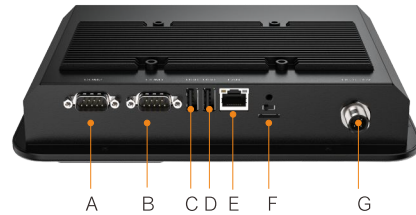


FMT-618

8", Capacitive Touch, J1900, Windows 7/10, WiFi / Bluetooth / 4G / GPS,
Fleet Management Data Terminal



A: COM2
B: COM1
C: USB
D: USB
E: LAN
F: Micro-SIM
G: DC 8-36V



Introduction

FMT-618 is a fleet management data terminal that comes with 8-inch touch screen, and Intel Celeron platform. Optional Wi-Fi, LTE, Bluetooth and GPS modules can be all integrated into the FMT-618 for realtime data exchange, navigation and communications. 10-point capacitive touch screen provides user-friendly interaction which makes operation quick and easy.

Features

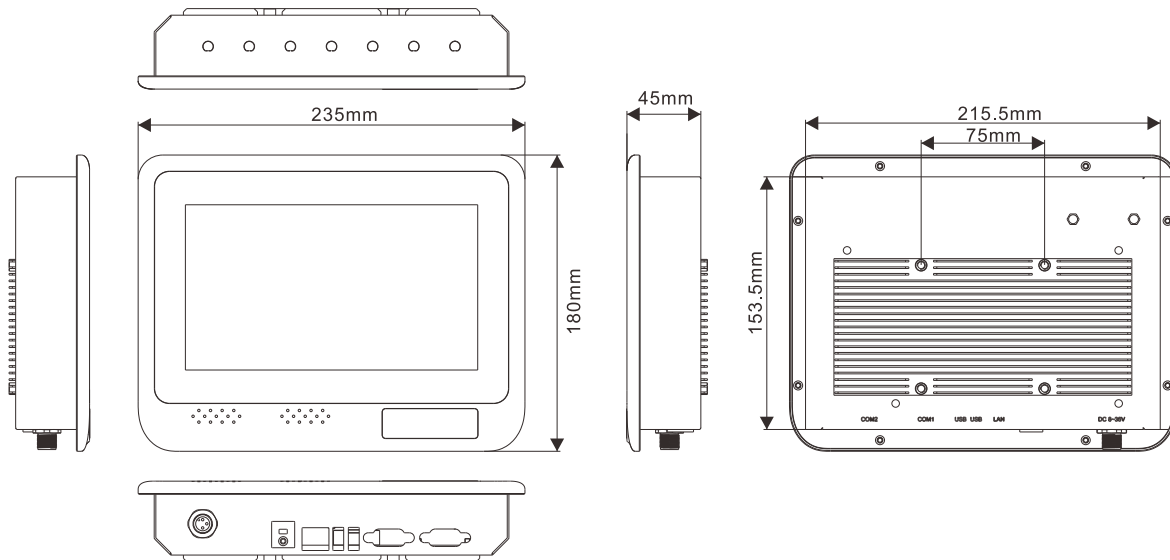
- Full-plane design, 8-inch LCD panel with capacitive touchscreen
- Rugged metal enclosure and fanless design
- Wide range 8-36V DC input with ignition control
- Support Win7, WES7 or Win10
- Optional build-in WiFi, Bluetooth, LTE, GPS

Applications

- Manufacturing Logistics
- Warehouse Management
- Vehicle management of driving school



Dimensions



Specifications

| | | | |
|------------------------------|---|-------------------------|---|
| System | | I/O Connectors | |
| CPU | Intel® Quad-Core Celeron J1900 (2.0GHz) | Series Port | 1 x RS-232/422/485, 1 x RS-232 |
| System Memory | 4GB SO-DIMM DDR3L-1333 (up to 8GB) | USB Port | 1 x USB2.0, 1 x USB3.0 |
| Storage | 128GB mSATA SSD (up to 512GB) | LAN Port | 1 x GbE LAN (RJ45) |
| Operating System | Windows 10 IoT Enterprise LTSC Windows 7 Professional Windows Embedded Standard 7 | Expansion | 1 x SIM Card Slot (push and push) |
| Display | | Others | 1 x Power Connector (M12) 7 x SMA Connectors for External Antenna (WiFi, Bluetooth, WWAN, GPS) |
| Size | 8-inch | Audio | |
| Resolution(H x V) | 1280 x 720 | Speaker | 2 x Speaker (4ohm, 2w) |
| Brightness | 750 nits | Power Management | |
| Backlight | LED | Power Input | 8~36V DC |
| Touchscreen | | Power Consumption | 12W typ. |
| Type | 10-point Capacitive Type | Ignition On/Off | Power on delay, default 10 seconds; Power off delay, default 10 seconds; (On/Off delay time can be changed via BIOS setting); |
| Keypad & Keyboard | | Environmental | |
| Keypad & Keyboard | Power On/Off Brightness Adjustment Power LED Indicator | Operating Temperature | -20~60°C |
| RF Communication | | Relative Humidity | 5%-95%, non-condensing |
| WLAN | 802.11a/b/g/n/ac, 2.4G/5G | IP Grade | IP54 |
| WWAN | TDD/FDD LTE, WCDMA, GSM | Shock and Vibration | Shock: MIL-STD-810G Method 516.6 Procedure I Vibration: MIL-STD-810G Method 514.6 Procedure I |
| GPS | GPS/GLONASS/Beidou | Certifications | CE, FCC |
| Bluetooth | Bluetooth 4.0 | Mechanical | |
| | | Housing | Aluminum+SGCC |
| | | Dimension (W x L x H) | 235 x 180 x 45mm |
| | | Weight | 1.35Kg |