

DPC-7191

19.1", Resistive / Capacitive Full Plane Touch Screen, Intel Whiskey Lake Core I3/I5/I7 Processor.



Features

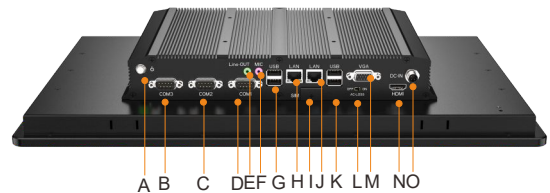
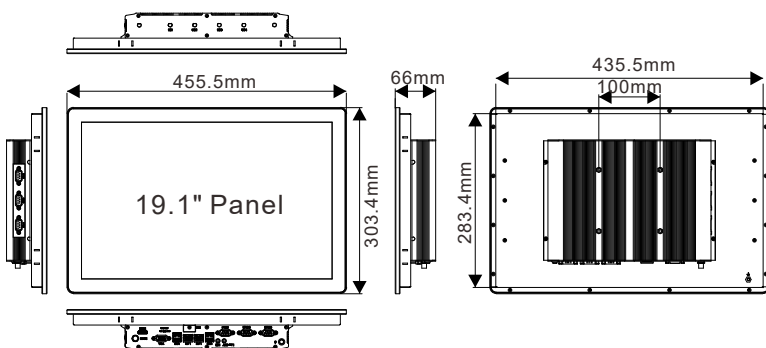
- 19.1" LED backlight LCD, capacitive touch screen, resistive touch screen
- Fanless design, integral aluminum alloy profile heat dissipation.
- Intel Whiskey Lake Core I3/I5/I7 processor
- 3 COM, 4 USB, 2 GbE, HD Audio, VGA, HDMI
- Support WiFi 6 4G 5G communication
- Panel and VESA mounting



Specifications

| System | | Expansion | |
|-------------------|--|----------------------------|--|
| CPU | Intel® Whiskey Lake-U I3-8145U (2.3GHz) Dual core four thread processor/ I5-8265U (1.6GHz)/ I7-8565U (1.8GHz) quad core eight thread processor | Mini-PCle | 1 x Full-size Mini-PCle for WIFI |
| Memory | 2 * SO-DIMM DDR4-2400 (UP to 32GB) | M.2 | M.2 3042 for 4G ; M.2 3052 for 5G |
| Storage | 1 x 2.5" Driver Bay for SATA HDD/SSD 1 x Full-size Mini-PCle for mSATA SSD | Audio | |
| Operating System | Windows 8.1/10 | Audio | 1 x Line-out 1 x Line-in |
| Display | | Speaker | 2Ω5W speaker(Optional) |
| Size | 19.1-inch | Power Specification | |
| Resolution | 1440 x 900 | Power Input | 9~36V |
| Viewing Angle | 85/85/80/80 | Power Adapter | AC-DC, 12V@7A, 84W |
| Brightness | 250 cd/m ² | Power Consumption | 25W(Typ.) |
| Backlight | LED | Environment | |
| LED Lifetime | 30000 hrs | Operating Temperature | -10~50 |
| VGA | Up to 1920 x 1200@60Hz | Storage Temperature | -20~60 |
| HDMI | Up to 4096 x 2304@24Hz | Relative Humidity | 10%-90%,@ 40°C (non-condensing) |
| Multi-Display | Dual display (LVDS + VGA/HDMI) | Vibration | 5~500Hz, 0.026 G ² /Hz, 2.16 Grms, X, Y, Z, 1 hour per axis |
| Touch Screen | | Certifications | CE, FCC |
| Type | 5-Wire Analog Resistive Touch Projected Capacitive Touch | Physical Characteristics | |
| Transmittance | 80%/87% | Housing | Aluminum alloy panel, all-metal structure |
| Control Interface | USB | Mounting Mode | Panel-mount, VESA-mount |
| Surface Hardness | ≥3H/≥6H | Dimension (W x L x H) | 455.5x303.4x66 mm |
| I/O Connectors | | Weight | 6.8Kg |
| Serial Port | 3 x RS-232 (COM2/3 support RS-232/422/485) | Packing List | |
| USB Port | 2 x USB3.0 2 x USB2.0 | 1 x DPC-7191 | |
| Ethernet | 2 x GbE LAN | 1 x AC-DC Power Adapter | |
| Display Interface | 1 x HDMI, 1 x VGA | 1 x Certificate | |
| Others | 1 x DC-IN (3-Pin M8)/1 x Remote Switch Connector 1 x ATX Power Switch/1 x AC LOSS 1 x SIM slot (4G 5G) | 1 x Warranty Card | |
| | | 8 x Panel Mounting Buckles | |

Dimension



- | | |
|--------------|-------------|
| A: Remote SW | I: SIM |
| B: COM3 | J: LAN |
| C: COM2 | K: USB |
| D: COM1 | L: AC-Loss |
| E: Line-out | M: VGA |
| F: MIC | N: HDMI |
| G: USB | O: DC-Input |
| H: LAN | |